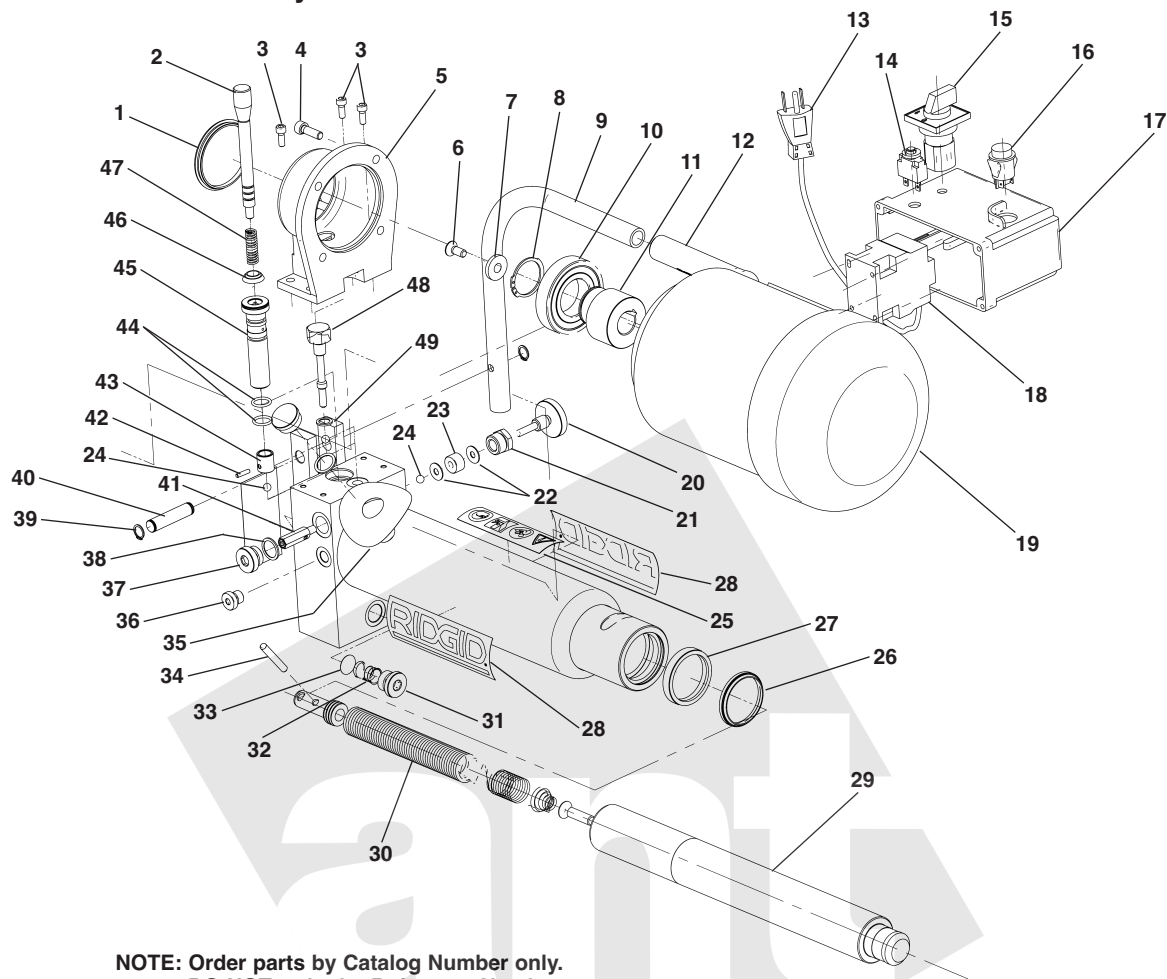


HB382E/HB383E Electro-Hydraulic Bender



**NOTE: Order parts by Catalog Number only.
DO NOT order by Reference Number.**

| Ref No. | Catalog No. | Description | Ref No. | Catalog No. | Description |
|---------|-------------|---------------------------|---------|-------------|---------------------|
| 1 | 45218 | Cap | 22 | 38138 | Copper Washer |
| 2 | 45223 | Press Ram | 23 | 38143 | Rubber Packing |
| 3 | 45233 | Screw M8 x 20 (4) | 24 | 38148 | Steel Ball (3) |
| 4 | 45228 | Screw M8 x 25 (4) | 25 | 38163 | Warning Label |
| 5 | 45238 | Upper Housing | 26 | 38183 | Scraper (HB382) |
| 6 | 45243 | Screw M8 x 20 | | 38188 | Scraper (HB383) |
| 7 | 45248 | Lock Nut | 27 | 38173 | HB382E Seal |
| 8 | 45253 | Safety Ring | | 38178 | HB383E Seal |
| 9 | 45258 | Carrying Handle | 28 | 38163 | Warning Label |
| 10 | 45263 | Bearing | 29 | 38193 | HB382 Ram |
| 11 | 45268 | Eccentric Cone | | 38198 | HB383 Ram |
| 12 | 18218 | Handle Grip | 30 | 38203 | Pull Spring |
| 13 | 45793 | Cord w/Plug (US) | 31 | 38213 | Plug |
| | 45798 | Cord w/Plug (Brazil) | 32 | 38218 | Spring |
| | 45803 | Cord w/Plug (EU 3 Phase) | 33 | 38223 | Filter |
| | 45808 | Cord w/Plug (EU 1 Phase) | 34 | 38208 | Pin |
| | 45813 | Cord w/Plug (CH) | 35 | 38123 | Operating Decal |
| 14 | 45333 | Circuit Breaker (230V) | 36 | 38238 | Plug |
| | 45338 | Circuit Breaker (115V) | 37 | 45828 | Plug F/Safety Valve |
| 15 | 45343 | Switch Asm. 1 Phase Motor | 38 | 38153 | O-Ring |
| | 45348 | Switch Asm. 3 Phase Motor | 39 | 38253 | Retaining Ring (2) |
| 16 | 45353 | Momentary Switch | 40 | 38258 | Pin |
| 17 | 45328 | Electric Box | 41 | 45833 | Safety Valve |
| 18 | 45318 | Contactora (115V) | 42 | 45313 | Notch Pin |
| | 45323 | Contactora (230V) | 43 | 45308 | Ball Cone |
| 19 | 45273 | Motor (US 115V) | 44 | 45303 | O-Ring (2) |
| | 45278 | Motor (Brazil 3PH 230V) | 45 | 45298 | Press Ram Housing |
| | 45283 | Motor (EU 230V) | 46 | 45293 | Scraper |
| | 45288 | Motor (EU 3PH 400V) | 47 | 38208 | Push Spring HB382E |
| | 45473 | Motor (CH 230V) | 48 | 38098 | Safety Screw |
| 20 | 38128 | Release Knob | 49 | 38103 | O-Ring |
| 21 | 38133 | Ring Nut | | | |